

Boom Lifts

ENGINE MHEV ELECTRIC REEV



ZHEJIANG DINGLI MACHINERY CO., LTD.

ADD: No. 188, Qihang Road, Deqing, Huzhou, Zhejiang P.R.C

P.C: 313219

Tel: +86-572-8681688

E-Mail: market@cndingli.com

<https://www.cndingli.com>

As the technology is constantly updated, technical parameters are subject to change without notice. This brochure is for reference only.
The copyright is owned by Zhejiang Dingli. No content may be copied or plagiarized for any purpose without written permission.
October 2024 edition

DINGLI
Exceed · New Height



Founded in 2005, [Zhejiang Dingli Machinery Co., Ltd.](#) is a leading manufacturer of intelligent aerial work platforms in the world, covering a total area of 710,000 square meters (175.4 acres), with a construction area of 590,000 square meters and an annual output value of more than 10 billion.

Dingli implements the "ESG" concept throughout the whole process of corporate governance, and practices the development strategy of "Green Sustainable Enterprise Ecology" in all aspects, including green travel of employees, green park construction, green manufacturing, green product R&D, and green recycling.

Dingli has R&D centers in Italy, Germany and the USA, and an Enterprise Research Institute in China, owns 265 global patents, including 120 invention patents, 81 foreign patents, 5 computer software copyright registration certificates, Dingli also participates in the formulation of 16 national standards and 9 industry standards, fully realizing technology globalization.

Electrification is a key measure for Dingli to provide customers with green recycling solutions. As a leader of new energy aerial working platforms, Dingli takes the lead in the industry to complete product electrification, and launches a 3-year warranty for the whole series of products. Dingli has realized collaborative, green and safe manufacturing based on the "future factory" with the highest degree of automation in the industry. More than 200 aerial work platforms developed independently have passed the authoritative certifications of CE in Europe and ANSI in the USA, and have been sold to more than 100 countries and regions around the world.

By advocating the efficient use of recycling energy, Dingli has established re-manufacturing factories to provide customers with full life cycle services for products. In order to better convey the global green development concept, Dingli has invested in well-known construction machinery enterprises such as MAGNI (Italy), TEUPEN (Germany), and wholly-owned acquisition of CMEC, a veteran company specialized in AWP in the United States with

more than 50 years of history. In addition, Dingli has established more than ten overseas subsidiaries that configured with local operating team.

Dingli has been recognized as a "National Manufacturing Single Item Champion Demonstration Enterprise" by the Ministry of Industry and Information Technology, been awarded the "IPAF Annual Pioneer of Aerial Work Platforms" and "IAPA Product of the Year Categories - Scissor Lifts & Vertical Masts", making a zero breakthrough in this industry's most prestigious international awards for Chinese manufacturing. Also, Dingli has been awarded "Top 40 Global Construction Machinery Manufacturers". Mr. Xu Shugen, president of the board, is the first Chinese selected as a member of the IAPA judging panel, has been awarded "Zhejiang Merchants of the Year" in 2022 and "100 Influential People in China's Construction Machinery Industry" for consecutive years.

Dingli is also committed to building an equal, diverse and inclusive corporate environment, by actively empowering women to realize gender diversity in all positions in the male-dominated machinery manufacturing industry, respecting different voices to keep team innovative and resilient for a long time, promoting the development of the industry and ushering in a new era of electrification for "Non-Road Mobile Machinery" to lead the green transformation. Meanwhile, Dingli has built a harmonious supply chain, connected upstream and downstream to create the world's only industrial park for aerial work platforms. Dingli has been fulfilling social responsibilities such as the establishment of the "HongDing Fund", practices of voluntary activities, poverty relief, fundraising for disaster relief, etc.

"Green & Sustainability" is the key to Dingli's high-quality development. In the future, the company will continue to upgrade the "future factories", deepen the green and energy-saving strategy, lead the new era of electrification for "Non-Road Mobile Machinery", make "Aerial Work Platforms Made in China" shine internationally.

Modular Boom Series

ENGINE MHEV ELECTRIC REEV Developed on the same platform, all components are 85% common. It is divided into three series: "D", "M" and "T", with working heights ranging from 16 to 44 meters, all of which are suitable for container transportation.

D-Series Modular Booms

Developed independently by Dingli, the maximum working height covers 16~24 meters, and the maximum load is 320kg. The entire series adopts lightweight design, equipped with the integrated axle, which has the advantages of easy maintenance, high chassis, high energy saving, stable control, easy transportation, etc.

M-Series Modular Booms

Jointly developed by Dingli and MAGNI of Italy, the maximum working height covers 24~34 meters and the maximum load is 454kg. The entire series adopts component downwards design, equipped with the integrated axle, which has the advantages of large load capacity, strong power, easy maintenance, high chassis, high energy-saving, stable control and easy transportation, etc.

T-Series Modular Booms

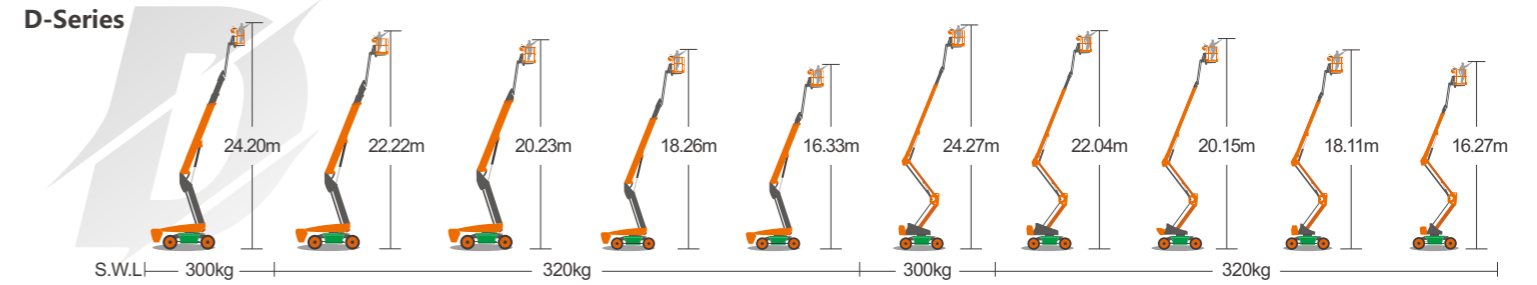
Jointly developed by Dingli and TEUPEN of Germany, the maximum working height covers 36~44 meters and the maximum load is 454kg. The entire series adopts the patented design of in-situ axle expansion, the jib can be hooked back, making it the world's only series in the same class that applicable to the container transportation, the efficiency of action is increased by 40% compared with the same class, and it is the only boom series in the industry with full redundancy of electronic control software and hardware.



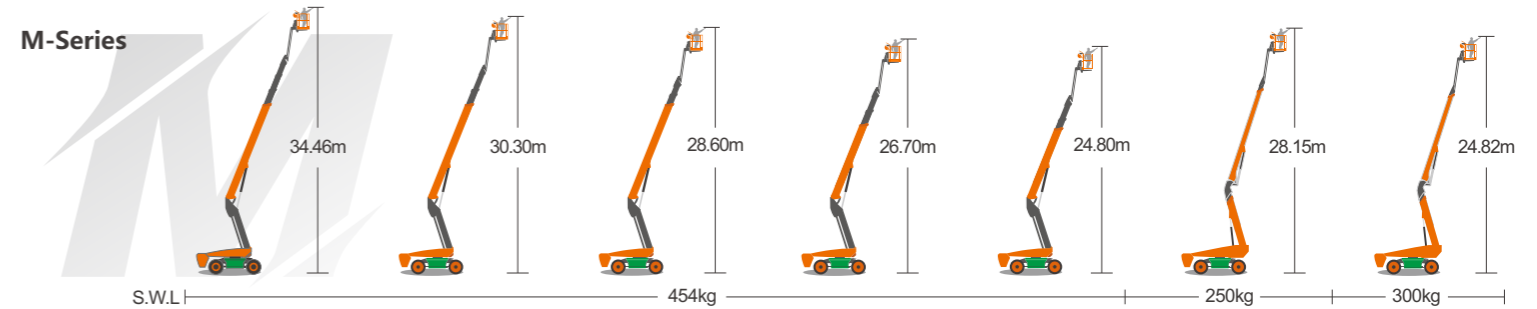
Diesel, mild hybrid, electric and range extender series are developed on the same platform, with 85% of structural parts common.



The entire series of 11~44m booms are suitable for container transportation.



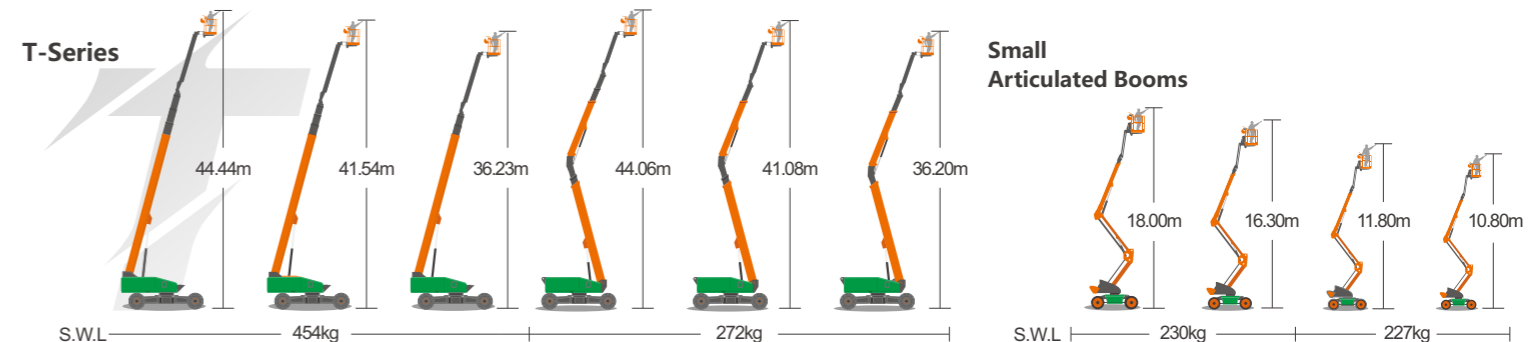
Regular Jib									
BT24CRT2	BT22CRT2	BT20CRT2	BT18CRT2	BT16CRT2	BA24CRT2	BA22CRT2	BA20CRT2	BA18CRT2	BA16CRT2
BT24CMRT2	BT22CMRT2	BT20CMRT2	BT18CMRT2	BT16CMRT2	BA24CMRT2	BA22CMRT2	BA20CMRT2	BA18CMRT2	BA16CMRT2
BT24CERT2	BT22CERT2	BT20CERT2	BT18CERT2	BT16CERT2	BA24CERT2	BA22CERT2	BA20CERT2	BA18CERT2	BA16CERT2
BT24CHRT2	BT22CHRT2	BT20CHRT2	BT18CHRT2	BT16CHRT2	BA24CHRT2	BA22CHRT2	BA20CHRT2	BA18CHRT2	BA16CHRT2
(P.17-18)	(P.19-20)	(P.19-20)	(P.21-22)	(P.21-22)	(P.29-30)	(P.31-32)	(P.31-32)	(P.33-34)	(P.33-34)



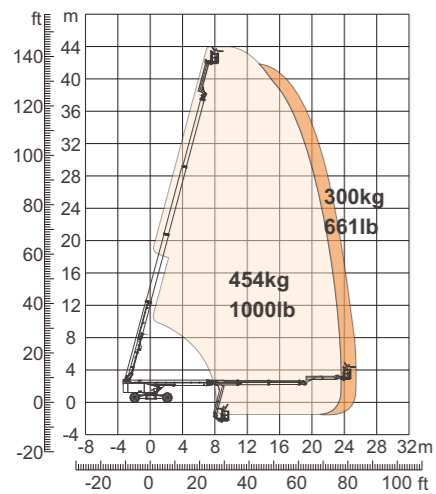
Regular Jib						
BT34RT	BT30RT	BT28RT	BT26RT	BT24RT	BA28RT	BA24RT
BT34ERT	BT30ERT	BT28ERT	BT26ERT	BT24ERT	BA28ERT	BA24ERT
BT34HRT	BT30HRT	BT28HRT	BT26HRT	BT24HRT	BA28HRT	BA24HRT

Barb Jib						
BT34BRT	BT28BRT	BT26BRT	BT24BRT	BA28BRT	BA24BRT	
BT34BERT	BT28BERT	BT26BERT	BT24BERT	BA28BERT	BA24BERT	
BT34BHRT	BT28BHRT	BT26BHRT	BT24BHRT	BA28BHRT	BA24BHRT	

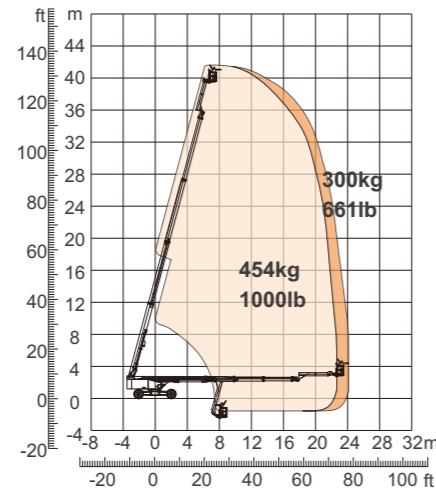
Telescopic Barb Jib						
	BT30SRT	BT28SRT	BT26SRT			
	BT30SERT	BT28SERT	BT26SERT			
	BT30SHRT	BT28SHRT	BT26SHRT			
(P.7-8)	(P.9-10)	(P.11-12)	(P.13-14)	(P.15-16)	(P.25-26)	(P.27-28)



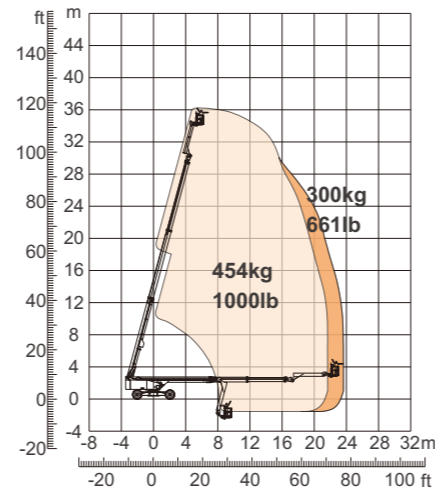
Regular Jib						Regular Jib			
BT44RT	BT41RT	BT36RT	BA44RT	BA41RT	BA36RT	BA18NE	BA16NE	BA12NE	BA11NE
BT44ERT	BT41ERT	BT36ERT	BA44ERT	BA41ERT	BA36ERT				
BT44HRT	BT41HRT	BT36HRT	BA44HRT	BA41HRT	BA36HRT				
(P.5-6)	(P.5-6)	(P.5-6)	(P.23-24)	(P.23-24)	(P.23-24)	(P.35-36)	(P.35-36)	(P.37-38)	(P.37-38)



BT44(RT/ERT/HRT)



BT41(RT/ERT/HRT)



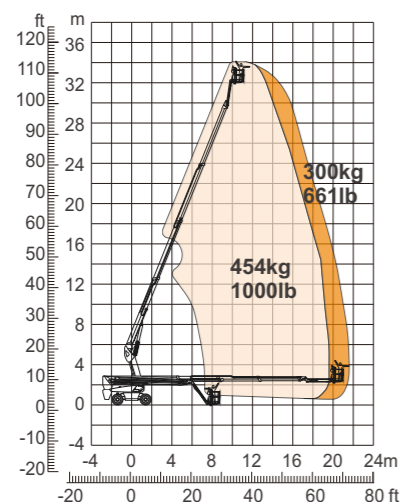
BT36(RT/ERT/HRT)

Model	BT44(RT/ERT/HRT)	BT41(RT/ERT/HRT)	BT36(RT/ERT/HRT)
Dimension			
Max. Working Height	44.44m 145ft 10in	41.54m 136ft 3in	36.23m 118ft 10in
Max. Platform Height	42.44m 139ft 3in	39.54m 129ft 9in	34.23m 112ft 4in
Max. Operating Range(+0.6m)	25.60m 83ft 12in	24.10m 79ft 1in	23.60m 77ft 5in
Max. Platform Range	25.00m 82ft	23.50m 77ft 1in	23.00m 75ft 5in
Flatbed Transport Dimensions(L×W×H)	11.92m×2.44m×2.83m 39ft 1in×8ft×9ft 3in	11.17m×2.44m×2.83m 36ft 8in×8ft×9ft 3in	11.92m×2.44m×2.83m 39ft 1in×8ft×9ft 3in
Standard Container Transport	All Applicable		
Overall Width(Axle Expanded/Axle Retracted)	4.17m / 2.44m 13ft 8in / 8ft		
Platform Size(Length ×Width)	2.44m×0.91m 8ft×3ft		
Turntable Tailswing(Axle Expanded/Axle Retracted)	1.39m / 2.28m 4ft 7in / 7ft 6in		
Ground Clearance	0.40m 1ft 4in		
Wheelbase(Axle Expanded/Axle Retracted)	4.07m / 4.27m 13ft 4in / 14ft		
Tyres	445 / 50D710		

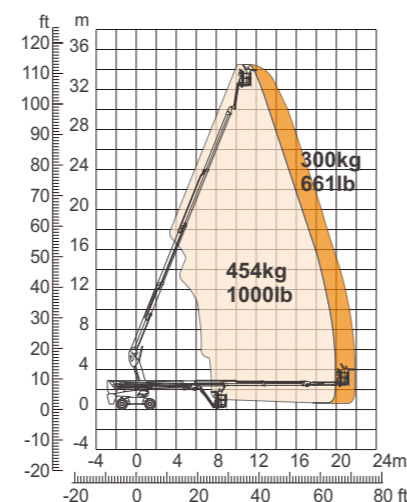
Performance	
S.W.L(Unrestricted/Restricted)	300kg / 454kg 661lb / 1000lb
Max. Occupants	3
Gradeability	45%
Travel Speed(Stowed/Raised)	≥6.0km/h / ≥1.1km/h ≥3.73mph / ≥0.68mph
Max. Working Slope(X/Y)	5° / 5°
Turret Rotation	360°Continuous
Platform Rotation	180°
Jib Movement	230°
Main Boom Maximum Angle	75°
Turning Radius-Axle Expanded(Inside/Outside)	2.99m / 5.41m 10ft / 17ft 9in
Turning Radius-Axle Retracted(Inside/Outside)	8.27m / 10.85m 27ft 2in / 35ft 7in

Weight	
Overall Weight	22500kg 22700kg 23000kg 21300kg 21500kg 21800kg 20250kg 20700kg 21000kg 49604lb 50044lb 50706lb 46958lb 47399lb 48061lb 44644lb 45636lb 46297lb

Power		
ENGINE RT	ELECTRIC ERT	REEV HRT
Emergency Power System 12V	Lithium Battery 358.4V/228Ah	Lithium Battery 358.4V/173Ah
Diesel Engine Deutz TD2.9 L4/55.4kW	Charger 358.4V/32A	Charger 358.4V/32A
Diesel Tank 150L(39gal)	Emergency Power System 12V	Emergency Power System 12V
Hydraulic Tank 230L(61gal)	Pump Motor 360VDC/30kW	Pump Motor 360VDC/30kW
	Hydraulic Tank 230L(61gal)	Range Extended Engine Kubota D1105/18.2kW
		Diesel Tank 100L(26gal)
		Hydraulic Tank 230L(61gal)

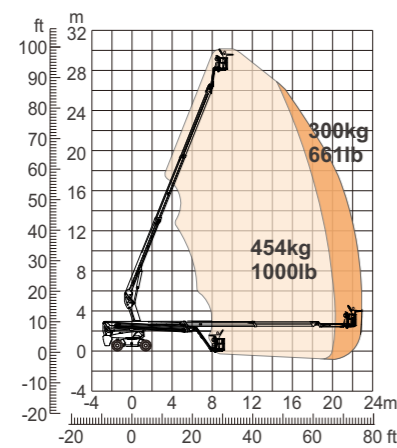


BT34(RT/ERT/HRT)

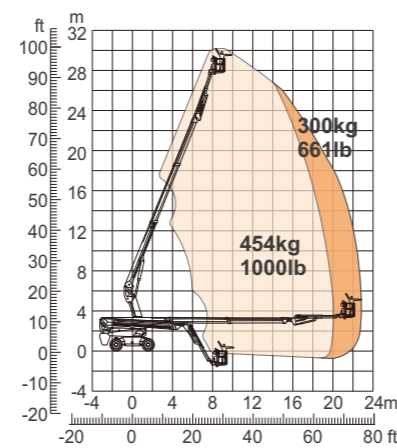


BT34B(RT/ERT/HRT)

Model	BT34(RT/ERT/HRT)	BT34B(RT/ERT/HRT)
Dimension		
Max. Working Height	34.14m 112ft	34.46m 113ft 1in
Max. Platform Height	32.14m 105ft 5in	32.46m 106ft 6in
Max. Operating Range(+0.6m)	21.60m 70ft 10in	21.85m 71ft 8in
Max. Platform Range	21.00m 68ft 11in	21.25m 69ft 9in
Flatbed Transport Dimensions(L×W×H)	11.63m×2.50m×2.86m 38ft 2in×8ft 2in×9ft 4in	9.01m×2.50m×2.91m 29ft 7in×8ft 2in×9ft 6in
Standard Container Transport	All Applicable	
Platform Size(Length ×Width)	2.44m×0.91m 8ft×3ft	
Turntable Tailswing	1.61m 5ft 3in	
Ground Clearance	0.41m 1ft 4in	
Wheelbase	2.80m 9ft 2in	
Tyres	385/45-28	
Performance		
S.W.L(Unrestricted/Restricted)	300kg / 454kg 661lb/1000lb	
Max. Occupants	3	
Gradeability	RT:45% ERT:30% HRT:30%	
Travel Speed(Stowed/Raised)	≥6.0km/h / ≥1.1km/h ≥3.7mph / ≥0.7mph	
Max. Working Slope(X/Y)	5° / 5°	
Turret Rotation	360°Continuous	
Platform Rotation	180°	
Jib Movement	135°	
Main Boom Maximum Angle	68°	
Turning Radius(Inside/Outside)	1.87m / 3.22m 6ft 2in/10ft 7in	
Weight		
Overall Weight	19150kg 42219lb	19290kg 42527lb
Power		
ENGINE RT	ELECTRIC ERT	REEV HRT
Emergency Power System 12V Diesel Engine Deutz TD2.9 L4/55.4kW Diesel Tank 135L(35gal) Hydraulic Tank 165L(43gal)	Lithium Battery 80V/520Ah Charger 80V/80A Emergency Power System 12V Driving Motor 54VAC/18kW Pump Motor 56VAC/24kW Hydraulic Tank 165L(43gal)	Lithium Battery 80V/420Ah Charger 80V/80A Emergency Power System 12V Driving Motor 54VAC/18kW Pump Motor 56VAC/24kW Range Extended Engine Kubota Z482/9.8kW Diesel Tank 110L(29gal) Hydraulic Tank 165L(43gal)

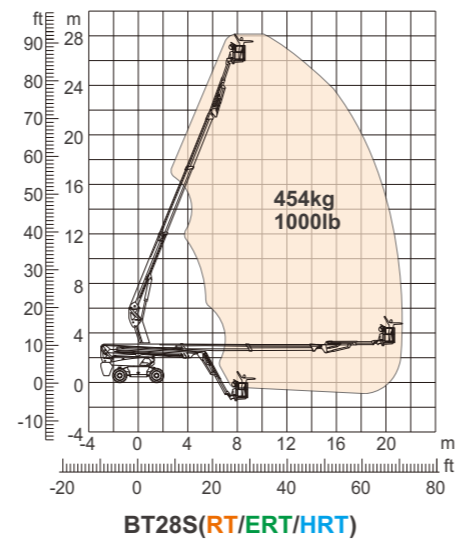
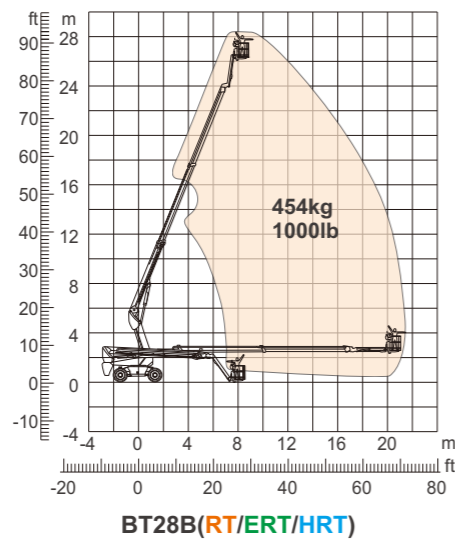
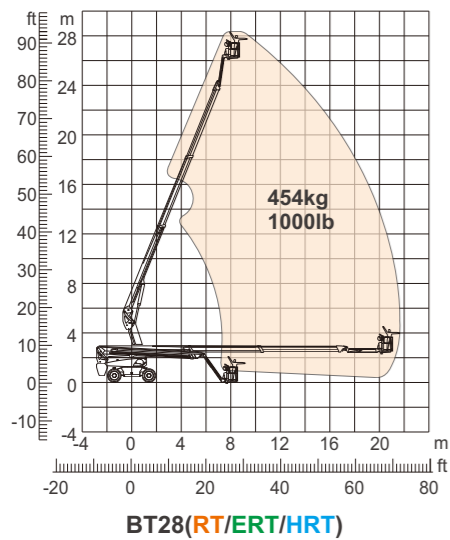


BT30(RT/ERT/HRT)



BT30S(RT/ERT/HRT)

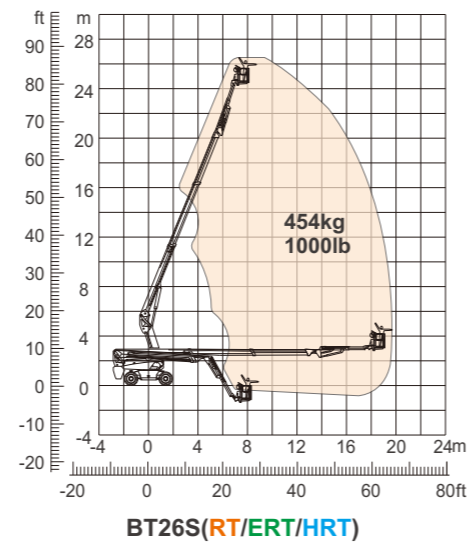
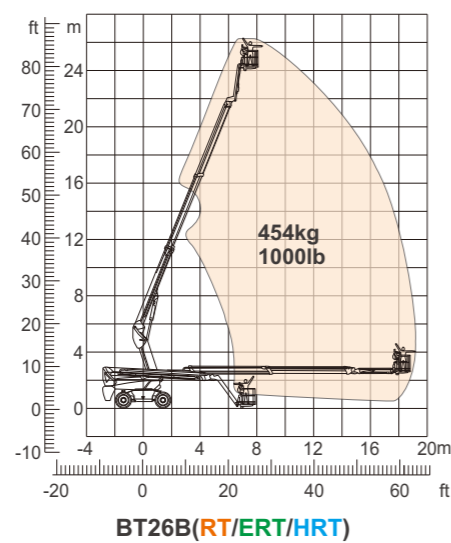
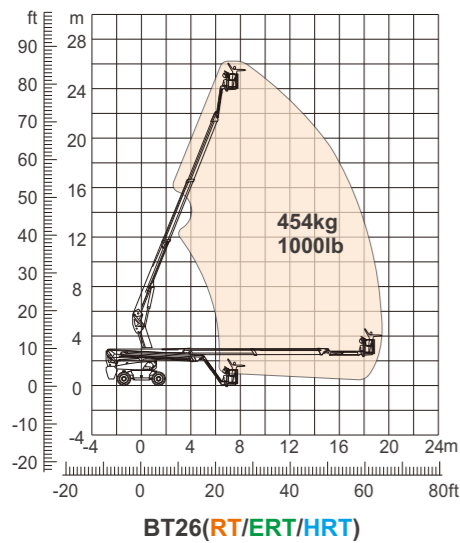
Model	BT30(RT/ERT/HRT)	BT30S(RT/ERT/HRT)
Dimension		
Max. Working Height	30.20m 99ft 5in	30.30m 99ft 5in
Max. Platform Height	28.20m 92ft 6in	28.30m 92ft 10in
Max. Operating Range(+0.6m)	23.00m 75ft 6in	23.00m 75ft 6in
Max. Platform Range	22.40m 73ft 6in	22.40m 73ft 6in
Flatbed Transport Dimensions(L×W×H)	12.08m×2.50m×2.96m 39ft 7in×8ft 2in×9ft 8in	8.82m×2.50m×2.96m 28ft 11in×8ft 2in×9ft 8in
Standard Container Transport	All Applicable	
Platform Size(Length ×Width)	2.44m×0.91m 8ft×3ft	
Turntable Tailswing	1.61m 5ft 3in	
Ground Clearance	0.41m 1ft 4in	
Wheelbase	2.80m 9ft 2in	
Tyres	385/45-28	
Performance		
S.W.L(Unrestricted/Restricted)	300kg / 454kg 661lb/1000lb	
Max. Occupants	3	
Gradeability	RT:45% ERT:30% HRT:30%	
Travel Speed(Stowed/Raised)	≥6.0km/h / ≥1.1km/h ≥3.7mph / ≥0.7mph	
Max. Working Slope(X/Y)	5° / 5°	
Turret Rotation	360°Continuous	
Platform Rotation	180°	
Jib Movement	135°	130°
Main Boom Maximum Angle	68°	
Turning Radius(Inside/Outside)	1.87m / 3.22m 6ft 2in/10ft 7in	
Weight		
Overall Weight	18900kg 41667lb	18900kg 41667lb
Power		
ENGINE RT Emergency Power System 12V Diesel Engine Deutz TD2.9 L4/55.4kW Diesel Tank 135L(35gal) Hydraulic Tank 165L(43gal)	ELECTRIC ERT Lithium Battery 80V/520Ah Charger 80V/80A Emergency Power System 12V Driving Motor 54VAC/18kW Pump Motor 56VAC/24kW Hydraulic Tank 165L(43gal)	REEV HRT Lithium Battery 80V/420Ah Charger 80V/80A Emergency Power System 12V Driving Motor 54VAC/18kW Pump Motor 56VAC/24kW Range Extended Engine Kubota Z482/9.8kW Diesel Tank 110L(29gal) Hydraulic Tank 165L(43gal)

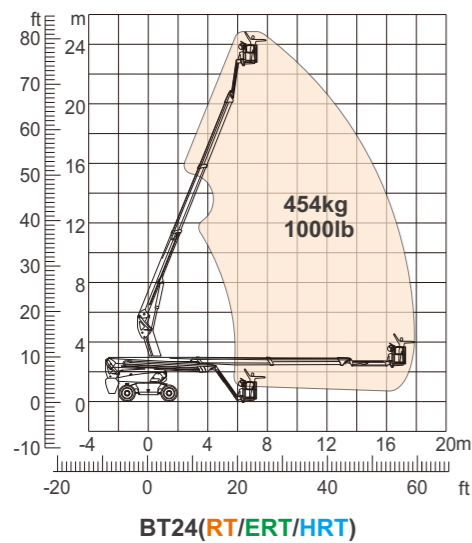


Model	BT28(RT/ERT/HRT)	BT28B(RT/ERT/HRT)	BT28S(RT/ERT/HRT)
Dimension			
Max. Working Height	28.60m 93ft 10in	28.50m 92ft 6in	28.10m 92ft 2in
Max. Platform Height	26.60m 87ft 3in	26.50m 86ft 11in	26.10m 85ft 8in
Max. Operating Range(+0.6m)	21.90m 71ft 10in	21.80m 71ft 6in	21.40m 70ft 3in
Max. Platform Range	21.30m 69ft 11in	21.20m 69ft 7in	20.80m 68ft 3in
Flatbed Transport Dimensions(L×W×H)	11.50m×2.50m×2.96m 37ft 9in×8ft 2in×9ft 8in	8.75m×2.50m×2.96m 28ft 8in×8ft 2in×9ft 8in	8.32m×2.50m×2.96m 27ft 3in×8ft 2in×9ft 8in
Standard Container Transport	All Applicable		
Platform Size(Length ×Width)	2.44m×0.91m 8ft×3ft		
Turntable Tailswing	1.61m 5ft 3in		
Ground Clearance	0.41m 1ft 4in		
Wheelbase	2.80m 9ft 2in		
Tyres	385/45-28		
Performance			
S.W.L	454kg 1000lb		
Max. Occupants	3		
Gradeability	RT:45% ERT:30% HRT:30%		
Travel Speed(Stowed/Raised)	>6.0km/h / >1.1km/h >3.7mph / >0.7mph		
Max. Working Slope(X/Y)	5° / 5°		
Turret Rotation	360°Continuous		
Platform Rotation	180°		
Jib Movement	135°	135°	130°
Main Boom Maximum Angle	68°		
Turning Radius(Inside/Outside)	1.87m / 3.22m 6ft 2in/10ft 7in		
Weight			
Overall Weight	18400kg 40565lb	18400kg 40565lb	18500kg 40785lb
Power			
ENGINE RT	ELECTRIC ERT	REEV HRT	
Emergency Power System 12V Diesel Engine Deutz TD2.9 L4/55.4kW Diesel Tank 135L(35gal) Hydraulic Tank 165L(43gal)	Lithium Battery 80V/520Ah Charger 80V/80A Emergency Power System 12V Driving Motor 54VAC/18kW Pump Motor 56VAC/24kW Hydraulic Tank 165L(43gal)	Lithium Battery 80V/420Ah Charger 80V/80A Emergency Power System 12V Driving Motor 54VAC/18kW Pump Motor 56VAC/24kW Range Extended Engine Kubota Z482/9.8kW Diesel Tank 110L(29gal) Hydraulic Tank 165L(43gal)	

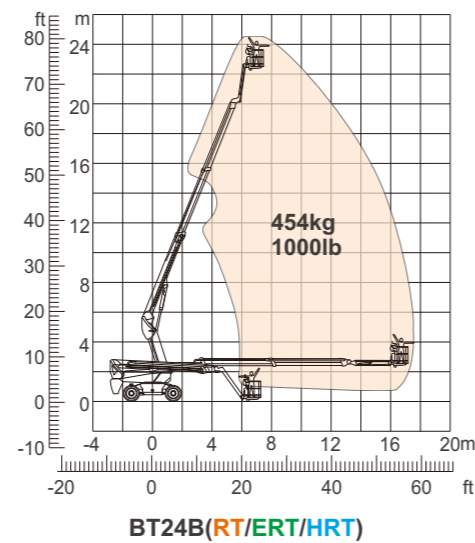


Model	BT26(RT/ERT/HRT)	BT26B(RT/ERT/HRT)	BT26S(RT/ERT/HRT)
Dimension			
Max. Working Height	26.30m 86ft 3in	26.30m 86ft 3in	26.70m 87ft 7in
Max. Platform Height	24.30m 79ft 9in	24.30m 79ft 9in	24.70m 81ft
Max. Operating Range(+0.6m)	19.50m 64ft	19.40m 63ft 8in	19.80m 65ft
Max. Platform Range	18.90m 62ft	18.80m 61ft 8in	19.20m 63ft
Flatbed Transport Dimensions(L×W×H)	10.71m×2.50m×2.96m 35ft 2in×8ft 2in×9ft 8in	7.95m×2.50m×2.96m 26ft 1in×8ft 2in×9ft 8in	8.48m×2.50m×2.96m 28ft×8ft 2in×9ft 8in
Standard Container Transport	All Applicable		
Platform Size(Length ×Width)	2.44m×0.91m 8ft×3ft		
Turntable Tailswing	1.61m 5ft 3in		
Ground Clearance	0.41m 1ft 4in		
Wheelbase	2.80m 9ft 2in		
Tyres	385/45-28		
Performance			
S.W.L	454kg 1000lb		
Max. Occupants	3		
Gradeability	RT:45% ERT:30% HRT:30%		
Travel Speed(Stowed/Raised)	≥6.0km/h / ≥1.1km/h ≥3.7mph / ≥0.7mph		
Max. Working Slope(X/Y)	5° / 5°		
Turret Rotation	360°Continuous		
Platform Rotation	180°		
Jib Movement	135°	135°	130°
Main Boom Maximum Angle	68°		
Turning Radius(Inside/Outside)	1.87m / 3.22m 6ft 2in/10ft 7in		
Weight			
Overall Weight	16090kg 35472lb	16090kg 35472lb	16800kg 37037lb
Power			
ENGINE RT Emergency Power System 12V Diesel Engine Deutz TD2.9 L4/55.4kW Diesel Tank 135L(35gal) Hydraulic Tank 165L(43gal)	ELECTRIC ERT Lithium Battery 80V/420Ah Charger 80V/80A Emergency Power System 12V Driving Motor 54VAC/18kW Pump Motor 56VAC/24kW Hydraulic Tank 165L(43gal)	REEV HRT Lithium Battery 80V/420Ah Charger 80V/80A Emergency Power System 12V Driving Motor 54VAC/18kW Pump Motor 56VAC/24kW Range Extended Engine Kubota Z482/9.8kW Diesel Tank 110L(29gal) Hydraulic Tank 165L(43gal)	



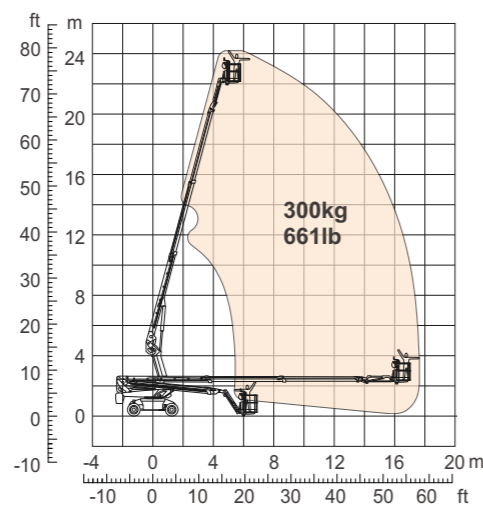


BT24(RT/ERT/HRT)



BT24B(RT/ERT/HRT)

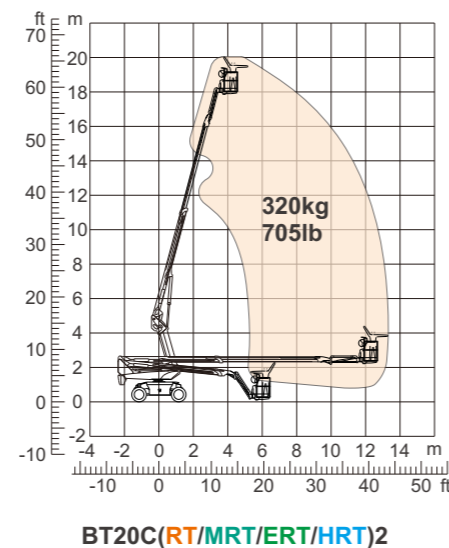
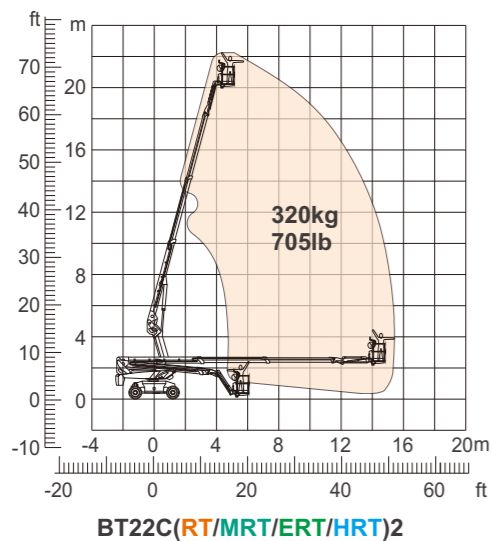
Model	BT24(RT/ERT/HRT)	BT24B(RT/ERT/HRT)
Dimension		
Max. Working Height	24.80m 81ft 4in	24.80m 81ft 4in
Max. Platform Height	22.80m 74ft 10in	22.80m 74ft 10in
Max. Operating Range(+0.6m)	17.90m 58ft 9in	17.80m 58ft 5in
Max. Platform Range	17.30m 56ft 9in	17.20m 56ft 5in
Flatbed Transport Dimensions(L×W×H)	10.17m×2.50m×2.96m 33ft 4in×8ft 2in×9ft 8in	7.82m×2.50m×2.96m 25ft 8in×8ft 2in×9ft 8in
Standard Container Transport	All Applicable	
Platform Size(Length ×Width)	2.44m×0.91m 8ft×3ft	
Turntable Tailswing	1.61m 5ft 3in	
Ground Clearance	0.41m 1ft 4in	
Wheelbase	2.80m 9ft 2in	
Tyres	385/45-28	
Performance		
S.W.L	454kg 1000lb	
Max. Occupants	3	
Gradeability	RT:45% ERT:30% HRT:30%	
Travel Speed(Stowed/Raised)	≥6.0km/h / ≥1.1km/h ≥3.7mph / ≥0.7mph	
Max. Working Slope(X/Y)	5° / 5°	
Turret Rotation	360°Continuous	
Platform Rotation	180°	
Jib Movement	135°	
Main Boom Maximum Angle	68°	
Turning Radius(Inside/Outside)	1.87m / 3.22m 6ft 2in / 10ft 7in	
Weight		
Overall Weight	14300kg 31526lb	
Power		
ENGINE RT	ELECTRIC ERT	REEV HRT
Emergency Power System 12V Diesel Engine Deutz TD2.9 L4/55.4kW Diesel Tank 135L(35gal) Hydraulic Tank 165L(43gal)	Lithium Battery 80V/420Ah Charger 80V/80A Emergency Power System 12V Driving Motor 54VAC/18kW Pump Motor 56VAC/24kW Hydraulic Tank 165L(43gal)	Lithium Battery 80V/320Ah Charger 80V/80A Emergency Power System 12V Driving Motor 54VAC/18kW Pump Motor 56VAC/24kW Range Extended Engine Kubota Z482/9.8kW Diesel Tank 110L(29gal) Hydraulic Tank 165L(43gal)



BT24C(RT/MRT/ERT/HRT)2

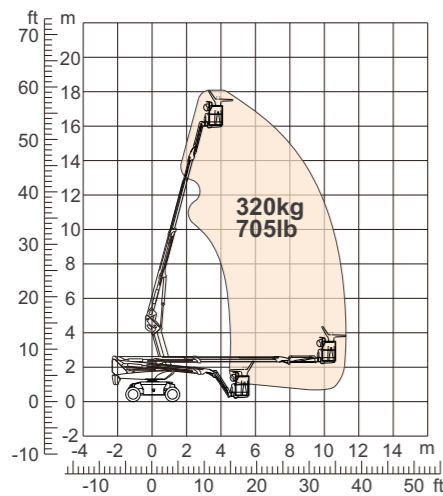
Model	BT24C(RT/MRT/ERT/HRT)2			
Dimension				
Max. Working Height	24.20m 79ft 5in			
Max. Platform Height	22.20m 72ft 10in			
Max. Operating Range(+0.6m)	17.64m 57ft 10in			
Max. Platform Range	17.04m 55ft 11in			
Flatbed Transport Dimensions (L×W×H)	9.36m×2.50m×2.46m 30ft 8in×8ft 2in×8ft 1in			
Standard Container Transport	All Applicable			
Platform Size(Length ×Width)	2.44m×0.91m 8ft×3ft			
Turntable Tailswing	1.21m 4ft			
Ground Clearance	0.28m 11in			
Wheelbase	2.50m 8ft 2in			
Tyres	315/55D20			
Performance				
S.W.L	300kg 661lb			
Max. Occupants	2			
Gradeability	40%			
Travel Speed(Stowed/Raised)	≥6.0km/h / ≥1.1km/h ≥3.7mph / ≥0.7mph			
Max. Working Slope(X/Y)	5° / 5°			
Turret Rotation	360°Continuous			
Platform Rotation	180°			
Jib Movement	-57°~ +75°			
Main Boom Maximum Angle	-5.5°~+75°			
Turning Radius(Inside/Outside)-Front wheel steering	3.68m/5.54m 12ft 1in/18ft 2in			
Turning Radius(Inside/Outside)-Four Wheel Steering ★	1.71m/2.98m 5ft 7in/9ft 9in			
Weight				
Overall Weight	12000kg 26455lb			
Power				
ENGINE RT Emergency Power System 12V Diesel Engine - Kubota D1105/18.2kW Diesel Tank 115L(30gal) Hydraulic Tank 160L(42gal)	MHEV MRT Lithium Battery 80V/67.5Ah Emergency Power System 12V Mild Hybrid Motor 80VDC/10kW Diesel Engine - Kubota D1105/18.2kW Diesel Tank 115L(30gal) Hydraulic Tank 160L(42gal)	ELECTRIC ERT Lithium Battery 80V/320Ah Emergency Power System 12V Driving Motor 80VDC/30kW Lifting Motor 80VDC/26kW Hydraulic Tank 160L(42gal)	REEV HRT Lithium Battery 80V/280Ah Emergency Power System 12V Driving Motor 80VDC/30kW Lifting Motor 80VDC/26kW Range Extended Engine - Kubota Z482/9.8kW Diesel Tank 110L(29gal) Hydraulic Tank 160L(42gal)	

Note: Parameters marked with "★" are optional items.

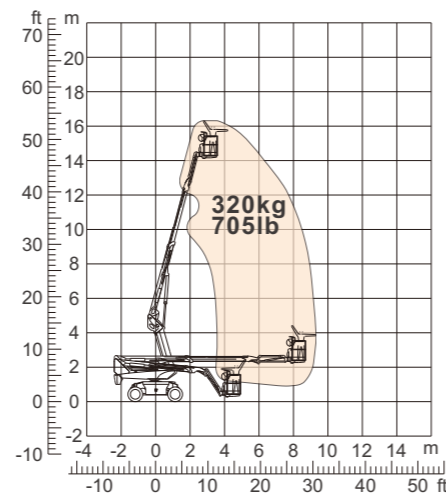


Model	BT22C(RT/MRT/ERT/HRT)2	BT20C(RT/MRT/ERT/HRT)2						
Dimension								
Max. Working Height	22.22m 72ft 11in	20.23m 66ft 4in						
Max. Platform Height	20.22m 66ft 4in	18.23m 60ft						
Max. Operating Range(+0.6m)	15.41m 50ft 7in	13.36m 44ft						
Max. Platform Range	14.81m 48ft 7in	12.76m 41ft 10in						
Flatbed Transport Dimensions(L×W×H)	6.75m×2.44m×2.70m 22ft 2in×8ft×8ft 10in	7.63m×2.44m×2.68m 25ft×8ft×8ft 9in						
Standard Container Transport	All Applicable							
Platform Size(Length ×Width)	1.83m×0.79m 6ft×2ft 7in							
Turntable Tailswing	1.24m 4ft 1in							
Ground Clearance	0.31m 1ft							
Wheelbase	2.40m 7ft 10in							
Tyres	315/55D20							
Performance								
S.W.L	320kg 705lb							
Max. Occupants	2							
Gradeability	40%							
Travel Speed(Stowed/Raised)	≥6.0km/h / ≥1.1km/h ≥3.7mph / ≥0.7mph							
Max. Working Slope(X/Y)	5° / 5°							
Turret Rotation	360°Continuous							
Platform Rotation	180°							
Jib Movement	132°							
Main Boom Maximum Angle	75°							
Turning Radius(Inside/Outside)-Front wheel steering	3.00m / 4.73m 9ft 10in/15ft 6in							
Turning Radius(Inside/Outside)-Four Wheel Steering ★	1.31m / 2.58m 4ft 3in / 8ft 6in							
Weight								
Overall Weight	9150kg 20172lb	9150kg 20172lb	9750kg 21495lb	9600kg 21164lb	8150kg 17967lb	8150kg 17967lb	8750kg 19290lb	8600kg 18959lb
Overall Weight(Lithium Battery) ★	/	/	9150kg 20172lb	9150kg 20172lb	/	/	8150kg 17967lb	8150kg 17967lb
Power								
ENGINE RT Emergency Power System 12V Diesel Engine - Kubota D1105/18.2kW Diesel Tank 115L(30gal) Hydraulic Tank 145L(38gal)	MHEV MRT Lithium Battery 80VDC/67.5Ah Emergency Power System 12V Diesel Engine - Kubota D1105/18.2kW Diesel Tank 115L(30gal) Hydraulic Tank 145L(38gal)	ELECTRIC ERT Lead-Acid Battery 48V/450Ah Lithium Battery 48V/420Ah ★ Charger 48VDC/60A Emergency Power System 12V Driving Motor 34VAC/9kW Pump Motor 34VAC/13kW Hydraulic Tank 145L(38gal)	REEV HRT Lead-Acid Battery 48V/300Ah Lithium Battery 48V/280Ah ★ Charger 48VDC/60A Emergency Power System 12V Driving Motor 34VAC/9kW Pump Motor 34VAC/13kW Range Extended Engine - Kubota Z482/9.8kW Diesel Tank 90L(23gal) Hydraulic Tank 145L(38gal)					

Note: Parameters marked with "★" are optional items.



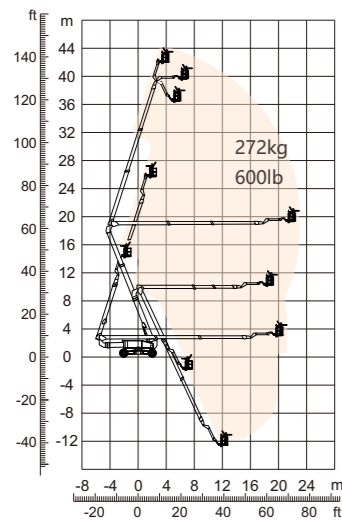
BT18C(RT/MRT/ERT/HRT)2



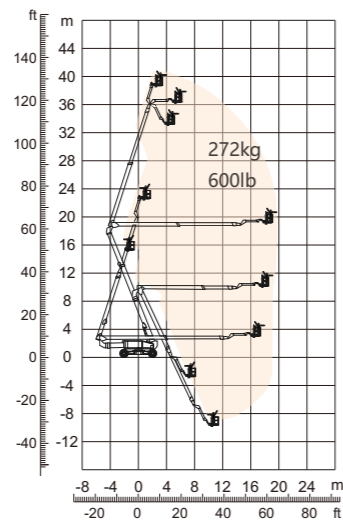
BT16C(RT/MRT/ERT/HRT)2

Model	BT18C(RT/MRT/ERT/HRT)2	BT16C(RT/MRT/ERT/HRT)2						
Dimension								
Max. Working Height	18.26m 59ft 10in	16.33m 53ft 7in						
Max. Platform Height	16.26m 53ft 4in	14.33m 47ft						
Max. Operating Range(+0.6m)	11.32m 37ft 2in	9.32m 30ft 7in						
Max. Platform Range	10.72m 35ft 2in	8.72m 28ft 7in						
Flatbed Transport Dimensions(L×W×H)	6.48m×2.44m×2.68m 21ft 3in×8ft×8ft 9in	5.48m×2.44m×2.68m 17ft 12in×8ft×8ft 9in						
Standard Container Transport	All Applicable							
Platform Size(Length ×Width)	1.83m×0.79m 6ft×2ft 7in							
Turntable Tailswing	1.18m 3ft 10in							
Ground Clearance	0.31m 1ft							
Wheelbase	2.40m 7ft 10in							
Tyres	315/55D20							
Performance								
S.W.L	320kg 705lb							
Max. Occupants	2							
Gradeability	40%							
Travel Speed(Stowed/Raised)	≥6.0km/h / ≥1.1km/h ≥3.7mph / ≥0.7mph							
Max. Working Slope(X/Y)	5° / 5°							
Turret Rotation	360°Continuous							
Platform Rotation	180°							
Jib Movement	132°							
Main Boom Maximum Angle	75°							
Turning Radius(Inside/Outside)-Front wheel steering	3.00m / 4.73m 9ft 10in/15ft 6in							
Turning Radius(Inside/Outside)-Four Wheel Steering ★	1.31m / 2.58m 4ft 3in / 8ft 6in							
Weight								
Overall Weight	7300kg 16093lb	7300kg 16093lb	7750kg 17085lb	7750kg 17085lb	6700kg 14770lb	6700kg 14770lb	7150kg 15763lb	7150kg 15763lb
Overall Weight(Lithium Battery) ★	/	/	7300kg 16093lb	7300kg 16093lb	/	/	6700kg 14770lb	6700kg 14770lb
Power								
ENGINE RT Emergency Power System 12V Diesel Engine - Kubota D1105/18.2kW Diesel Tank 115L(30gal) Hydraulic Tank 145L(38gal)	MHEV MRT Lithium Battery 80VDC/67.5Ah Emergency Power System 12V Diesel Engine - Kubota D1105/18.2kW Diesel Tank 115L(30gal) Hydraulic Tank 145L(38gal)	ELECTRIC ERT Lead-Acid Battery 48V/375Ah Lithium Battery 48V/350Ah ★ Charger 48VDC/60A Emergency Power System 12V Driving Motor 34VAC/9kW Pump Motor 34VAC/13kW Hydraulic Tank 145L(38gal)	REEV HRT Lead-Acid Battery 48V/300Ah Lithium Battery 48V/280Ah ★ Charger 48VDC/60A Emergency Power System 12V Driving Motor 34VAC/9kW Pump Motor 34VAC/13kW Range Extended Engine - Kubota Z482/9.8kW Diesel Tank 90L(23gal) Hydraulic Tank 145L(38gal)					

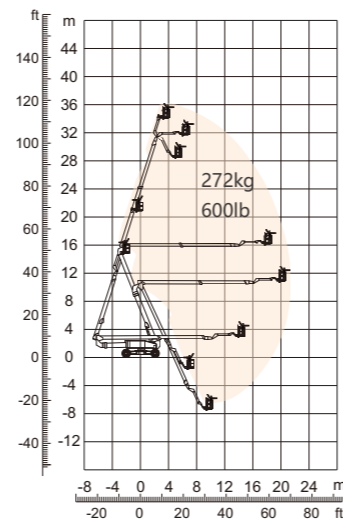
Note: Parameters marked with "★" are optional items.



BA44(RT/ERT/HRT)



BA41(RT/ERT/HRT)

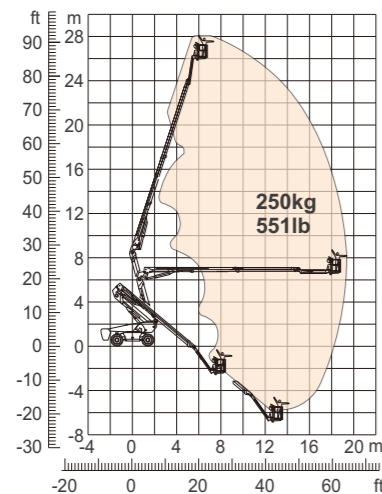


BA36(RT/ERT/HRT)

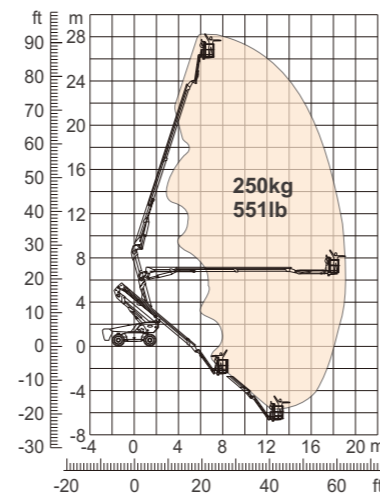
Model	BA44(RT/ERT/HRT)	BA41(RT/ERT/HRT)	BA36(RT/ERT/HRT)
Dimension			
Max. Working Height	44.06m 144ft 7in	41.08m 134ft 9in	36.20m 118ft 9in
Max. Platform Height	42.06m 138ft	39.08m 128ft 2in	34.20m 112ft 2in
Max. Operating Range(+0.6m)	22.97m 75ft 4in	19.86m 65ft 2in	21.31m 69ft 11in
Max. Up And Over Clearance	18.80m 61ft 8in	18.80m 61ft 8in	15.75m 51ft 8in
Max. Down Probing Depth	12.60m 41ft 4in	6.83m 22ft 5in	4.37m 14ft 4in
Flatbed Transport Dimensions(L×W×H)	11.97m×2.44m×3.10m 39ft 3in×8ft×10ft 2in	11.95m×2.44m×3.10m 39ft 2in×8ft×10ft 2in	11.91m×2.44m×3.03m 39ft 1in×8ft×10ft
open top container Transport	All Applicable	All Applicable	All Applicable
Overall Length(Stowed)	13.52m 44ft 4in	14.70m 48ft 3in	14.11m 46ft 3in
Overall Width(Axle Expanded)	4.17m 13ft 8in	4.17m 13ft 8in	4.17m 13ft 8in
Overall Width(Axle Retracted)	2.44m 8ft	2.44m 8ft	2.44m 8ft
Overall Height(Stowed)	3.10m 10ft 2in	3.10m 10ft 2in	3.03m 9ft 11in
Platform Size(Length ×Width)	2.44m×0.91m 8ft×2ft 12in	2.44m×0.91m 8ft×2ft 12in	2.44m×0.91m 8ft×2ft 12in
Turntable Tailswing(Articulating Boom Lift,Extended)	2.47m 8ft 1in	2.47m 8ft 1in	1.22m 4ft
Turntable Tailswing(Articulating Boom Down,Retracted)	3.45m 11ft 4in	3.45m 11ft 4in	4.26m 14ft
Ground Clearance		0.40m 1ft 4in	
Wheelbase(Axle Expanded)		4.07m 13ft 4in	
Wheelbase(Axle Retracted)		4.27m 14ft	
Tyres		445/50D710	
Performance			
S.W.L		272kg 600lb	
Max. Occupants		2	
Gradeability		45%	
Travel Speed(Stowed/Raised)		>6.0km/h / >1.1km/h >3.7mph / >0.7mph	
Max. Working Slope(X/Y)		5° / 5°	
Turret Rotation		360°Continuous	
Platform Rotation		180°	
Jib Movement		226°	
Main Boom Maximum Angle		72.23°	
Turning Radius-Axle Expanded(Inside/Outside)		2.99m / 5.41m 10ft / 17ft 9in	
Turning Radius-Axle Retracted(Inside/Outside)		8.27m / 10.85m 27ft 1in / 35ft 7in	

Weight										
Overall Weight	23900kg 52690lb	23950kg 52801lb	23950kg 52801lb	23700kg 52250lb	23750kg 52360lb	23750kg 52360lb	22000kg 48502lb	22150kg 48832lb	22150kg 48832lb	

Power		
ENGINE RT	ELECTRIC ERT	REEV HRT
Emergency Power System 12V	Lithium Battery 358.4V/228Ah	Lithium Battery 358.4V/173Ah
Diesel Engine Deutz TD2.9 L4/55.4kW	Charger 358.4V/32A	Charger 358.4V/32A
Diesel Tank 135L(39gal)	Emergency Power System 12V	Emergency Power System 12V
Hydraulic Tank 230L(61gal)	Pump Motor 360VDC/30kW	Pump Motor 360VDC/30kW
	Hydraulic Tank 230L(61gal)	Range Extended Engine Kubota D1105/18.2kW
		Diesel Tank 100L(26gal)
		Hydraulic Tank 230L(61gal)

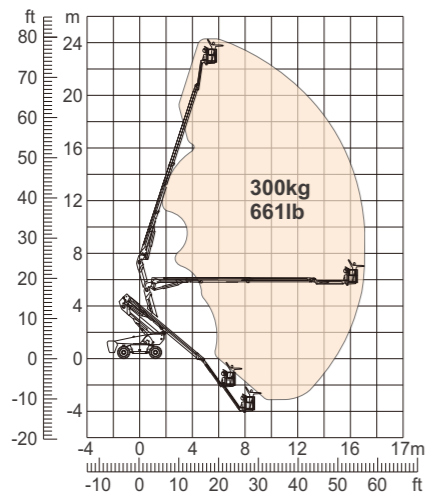


BA28(RT/ERT/HRT)

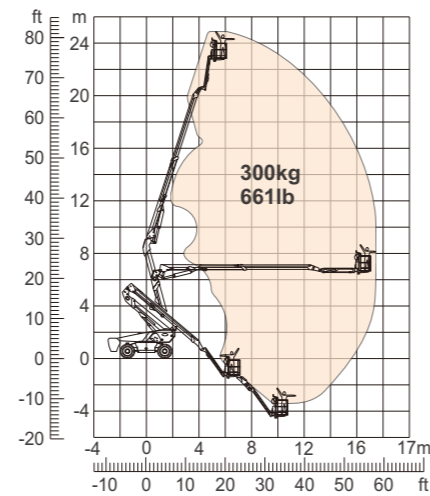


BA28B(RT/ERT/HRT)

Model	BA28(RT/ERT/HRT)	BA28B(RT/ERT/HRT)
Dimension		
Max. Working Height	28.10m 92ft 2in	28.15m 92ft 4in
Max. Platform Height	26.10m 85ft 8in	26.15m 85ft 9in
Max. Operating Range(+0.6m)	19.40m 63ft 8in	19.04m 62ft 6in
Max. Platform Range	18.80m 61ft 8in	18.44m 60ft 6in
Max. Up And Over Clearance	9.14m 30ft	9.14m 30ft
Max. Down Probing Depth	6.61m 21ft 8in	5.17m 16ft 11in
Flatbed Transport Dimensions(L×W×H)	11.85m×2.50m×2.89m 38ft 10in×8ft 2in×9ft 6in	9.22m×2.50m×3.00m 30ft 3in×8ft 2in×9ft 10in
Standard Container Transport	All Applicable	
Platform Size(Length ×Width)	2.44m×0.91m 8ft×3ft	
Turntable Tailswing	1.61m 5ft 3in	
Ground Clearance	0.41m 1ft 4in	
Wheelbase	2.80m 9ft 2in	
Tyres	385/45-28	
Performance		
S.W.L	250kg 551lb	
Max. Occupants	2	
Gradeability	RT:45% ERT:30% HRT:30%	
Travel Speed(Stowed/Raised)	≥6.0km/h / ≥1.1km/h ≥3.7mph / ≥0.7mph	
Max. Working Slope(X/Y)	5° / 5°	
Turret Rotation	360°Continuous	
Platform Rotation	180°	
Jib Movement	135°	
Main Boom Maximum Angle	72°	
Turning Radius(Inside/Outside)	1.87m / 3.22m 6ft 2in/10ft 7in	
Weight		
Overall Weight	18400kg 40565lb	18400kg 40565lb
Power		
ENGINE RT	ELECTRIC ERT	REEV HRT
Emergency Power System 12V Diesel Engine Deutz TD2.9 L4/55.4kW Diesel Tank 135L(35gal) Hydraulic Tank 165L(43gal)	Lithium Battery 80V/520Ah Charger 80V/80A Emergency Power System 12V Driving Motor 54VAC/18kW Pump Motor 56VAC/24kW Hydraulic Tank 165L(43gal)	Lithium Battery 80V/420Ah Charger 80V/80A Emergency Power System 12V Driving Motor 54VAC/18kW Pump Motor 56VAC/24kW Range Extended Engine Kubota Z482/9.8kW Diesel Tank 110L(29gal) Hydraulic Tank 165L(43gal)



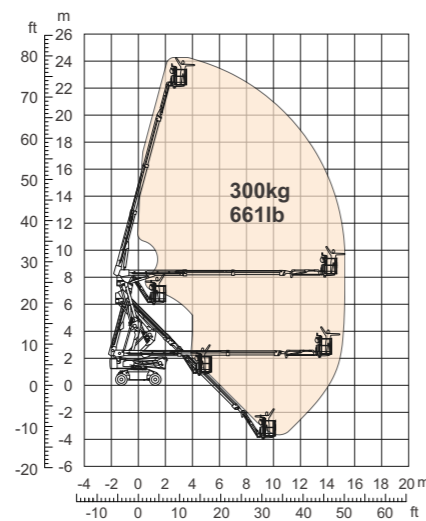
BA24(RT/ERT/HRT)



BA24B(RT/ERT/HRT)

Model	BA24(RT/ERT/HRT)	BA24B(RT/ERT/HRT)
Dimension		
Max. Working Height	24.30m 79ft 9in	24.82m 81ft 5in
Max. Platform Height	22.30m 73ft 2in	22.82m 74ft 10in
Max. Operating Range(+0.6m)	17.10m 56ft 1in	17.60m 57ft 9in
Max. Platform Range	16.50m 54ft 2in	17.00m 54ft 2in
Max. Up And Over Clearance	9.14m 30ft	9.14m 30ft
Max. Down Probing Depth	4.03m 13ft 3in	2.92m 9ft 7in
Flatbed Transport Dimensions(L×W×H)	9.85m×2.50m×2.89m 32ft 4in×8ft 2in×9ft 6in	7.67m×2.50m×3.00m 25ft 1in×8ft 2in×9ft 10in
Standard Container Transport	All Applicable	
Platform Size(Length ×Width)	2.44m×0.91m 8ft×3ft	
Turntable Tailswing	1.61m 5ft 3in	
Ground Clearance	0.41m 1ft 4in	
Wheelbase	2.80m 9ft 2in	
Tyres	385/45-28	
Performance		
S.W.L	300kg 661lb	
Max. Occupants	2	
Gradeability	RT:45% ERT:30% HRT:30%	
Travel Speed(Stowed/Raised)	≥6.0km/h / ≥1.1km/h ≥3.7mph / ≥0.7mph	
Max. Working Slope(X/Y)	5° / 5°	
Turret Rotation	360°Continuous	
Platform Rotation	180°	
Jib Movement	135°	
Main Boom Maximum Angle	72°	
Turning Radius(Inside/Outside)	1.87m / 3.22m 6ft 2in/10ft 7in	
Weight		
Overall Weight	17200kg 37919lb	17200kg 37919lb
Power		
ENGINE RT	ELECTRIC ERT	REEV HRT
Emergency Power System 12V Diesel Engine Deutz TD2.9 L4/55.4kW Diesel Tank 135L(35gal) Hydraulic Tank 165L(43gal)	Lithium Battery 80V/420Ah Charger 80V/80A Emergency Power System 12V Driving Motor 54VAC/18kW Pump Motor 56VAC/24kW Hydraulic Tank 165L(43gal)	Lithium Battery 80V/320Ah Charger 80V/80A Emergency Power System 12V Driving Motor 54VAC/18kW Pump Motor 56VAC/24kW Range Extended Engine Kubota Z482/9.8kW Diesel Tank 110L(29gal) Hydraulic Tank 165L(43gal)

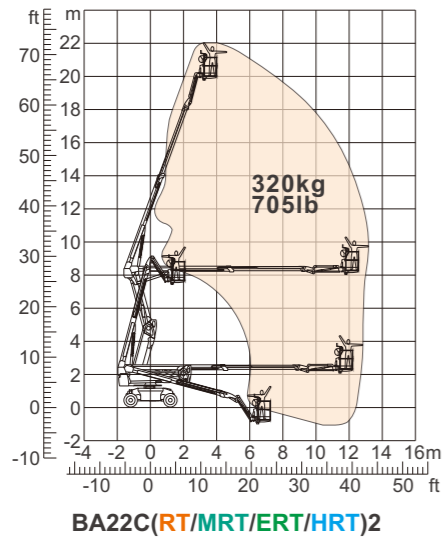
ENGINE MHEV ELECTRIC REEV



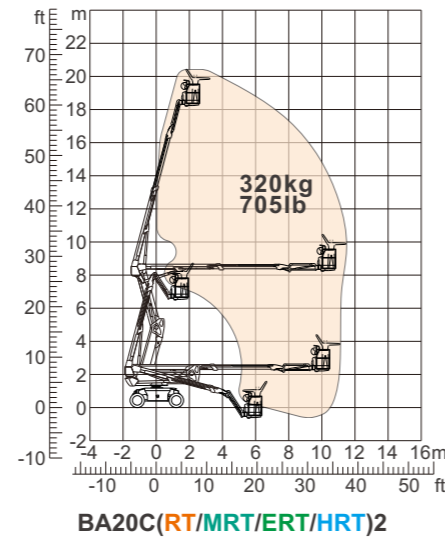
BA24C(RT/MRT/ERT/HRT)2

Model		BA24C(RT/MRT/ERT/HRT)2	
Dimension			
Max. Working Height	24.27m 79ft 7in		
Max. Platform Height	22.27m 73ft 1in		
Max. Operating Range(+0.6m)	15.29m 50ft 2in		
Max. Platform Range	14.69m 48ft 2in		
Max. Up And Over Clearance	8.10m 26ft 7in		
Max. Down Probing Depth	3.74m 12ft 3in		
Flatbed Transport Dimensions (L×W×H)	8.8m×2.5m×2.6m 28ft 10in×8ft 2in×8ft 6in		
Standard Container Transport	All Applicable		
Platform Size(Length ×Width)	2.44m×0.91m 8ft×3ft		
Turntable Tailswing	0.85m 2ft 9in		
Ground Clearance	0.28m 11in		
Wheelbase	2.5m 8ft 2in		
Tyres	315/55D20		
Performance			
S.W.L	300kg 661lb		
Max. Occupants	2		
Gradeability	40%		
Travel Speed(Stowed/Raised)	≥6.0km/h / ≥1.1km/h ≥3.7mph / ≥0.7mph		
Max. Working Slope(X/Y)	5° / 5°		
Turret Rotation	360°Continuous		
Platform Rotation	180°		
Jib Movement	-57°~ +75°		
Main Boom Maximum Angle	-45°~+75°		
Turning Radius(Inside/Outside)-Front wheel steering	3.68m/5.54m 12ft 1in/18ft 2in		
Turning Radius(Inside/Outside)-Four Wheel Steering ★	1.71m/2.98m 5ft 7in/9ft 9in		
Weight			
Overall Weight	12000kg 26455lb		
Power			
ENGINE RT Emergency Power System 12V Diesel Engine - Kubota D1105/18.2kW Diesel Tank 115L(30gal) Hydraulic Tank 160L(42gal)	MHEV MRT Lithium Battery 80V/67.5Ah Emergency Power System 12V Mild Hybrid Motor 80VDC/10kW Diesel Engine - Kubota D1105/18.2kW Diesel Tank 115L(30gal) Hydraulic Tank 160L(42gal)	ELECTRIC ERT Lithium Battery 80V/320Ah Emergency Power System 12V Driving Motor 80VDC/30kW Lifting Motor 80VDC/26kW Hydraulic Tank 160L(42gal)	REEV HRT Lithium Battery 80V/280Ah Emergency Power System 12V Driving Motor 80VDC/30kW Lifting Motor 80VDC/26kW Range Extended Engine - Kubota Z482/9.8kW Diesel Tank 110L(29gal) Hydraulic Tank 160L(42gal)

Note: Parameters marked with "★" are optional items.



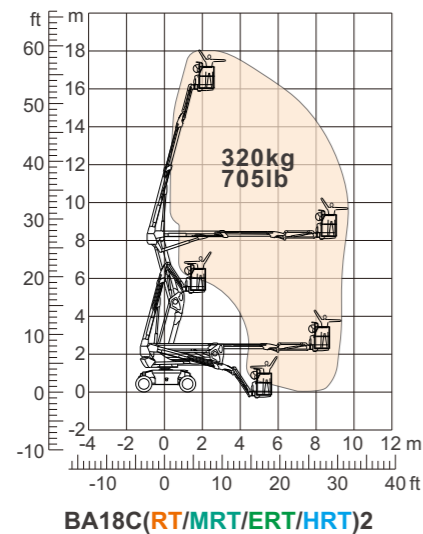
BA22C(RT/MRT/ERT/HRT)2



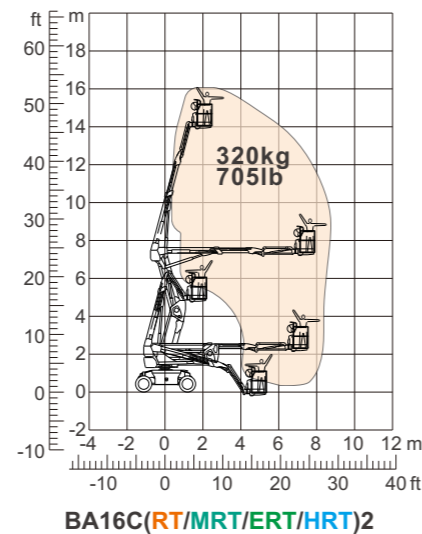
BA20C(RT/MRT/ERT/HRT)2

Model	BA22C(RT/MRT/ERT/HRT)2	BA20C(RT/MRT/ERT/HRT)2						
Dimension								
Max. Working Height	22.04m 72ft 4in	20.15m 66ft 1in						
Max. Platform Height	20.04m 65ft 9in	18.15m 59ft 6in						
Max. Operating Range(+0.6m)	13.17m 43ft 2in	11.13m 36ft 6in						
Max. Platform Range	12.57m 41ft 3in	10.53m 34ft 6in						
Max. Up And Over Clearance	8.18m 26ft 10in	8.18m 26ft 10in						
Max. Down Probing Depth	1.74m 5ft 8in	1.25m 4ft 1in						
Flatbed Transport Dimensions(L×W×H)	7.36m×2.44m×2.59m 24ft 2in×8ft×8ft 6in	6.41m×2.44m×2.59m 21ft×8ft×8ft 6in						
Standard Container Transport		All Applicable						
Platform Size(Length ×Width)		1.83m×0.79m 6ft×2ft 7in						
Turntable Tailswing	0.70m 2ft 4in	0.65m 2ft 2in						
Ground Clearance		0.31m 1ft						
Wheelbase		2.40m 7ft 10in						
Tyres		315/55D20						
Performance								
S.W.L		320kg 705lb						
Max. Occupants		2						
Gradeability	RT:40% MRT:40% ERT:35% HRT:35%	40%						
Travel Speed(Stowed/Raised)		≥6.0km/h / ≥1.1km/h ≥3.7mph / ≥0.7mph						
Max. Working Slope(X/Y)		5° / 5°						
Turret Rotation		360°Continuous						
Platform Rotation		180°						
Jib Movement		132°						
Main Boom Maximum Angle	75°	73°						
Turning Radius(Inside/Outside)-Front wheel steering		3.00m / 4.73m 9ft 10in/15ft 6in						
Turning Radius(Inside/Outside)-Four Wheel Steering ★		1.31m / 2.58m 4ft 3in / 8ft 6in						
Weight								
Overall Weight	9700kg 21384lb	9700kg 21384lb	10300kg 22708lb	10150kg 22376lb	8450kg 18629lb	8450kg 18629lb	9050kg 19952lb	8900kg 19621lb
Overall Weight(Lithium Battery) ★	/	/	9700kg 21384lb	9700kg 21384lb	/	/	8450kg 18629lb	8450kg 18629lb
Power								
ENGINE RT Emergency Power System 12V Diesel Engine - Kubota D1105/18.2kW Diesel Tank 115L(30gal) Hydraulic Tank 145L(38gal)	MHEV MRT Lithium Battery 80VDC/67.5Ah Emergency Power System 12V Diesel Engine - Kubota D1105/18.2kW Diesel Tank 115L(30gal) Hydraulic Tank 145L(38gal)	ELECTRIC ERT Lead-Acid Battery 48V/450Ah Lithium Battery 48V/350Ah ★ Charger 48VDC/60A Emergency Power System 12V Driving Motor 34VAC/9kW Pump Motor 34VAC/13kW Hydraulic Tank 145L(38gal)	REEV HRT Lead-Acid Battery 48V/300Ah Lithium Battery 48V/280Ah ★ Charger 48VDC/60A Emergency Power System 12V Driving Motor 34VAC/9kW Pump Motor 34VAC/13kW Range Extended Engine - Kubota Z482/9.8kW Diesel Tank 90L(23gal) Hydraulic Tank 145L(38gal)					

Note: Parameters marked with "★" are optional items.



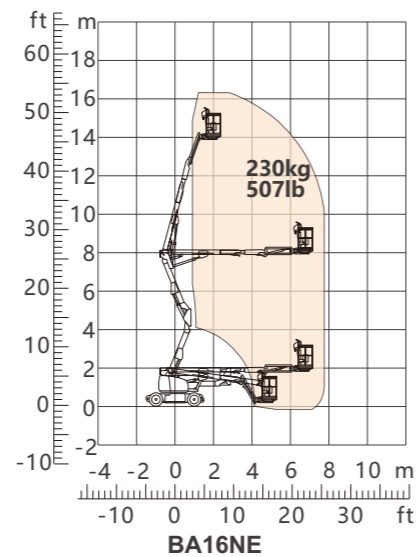
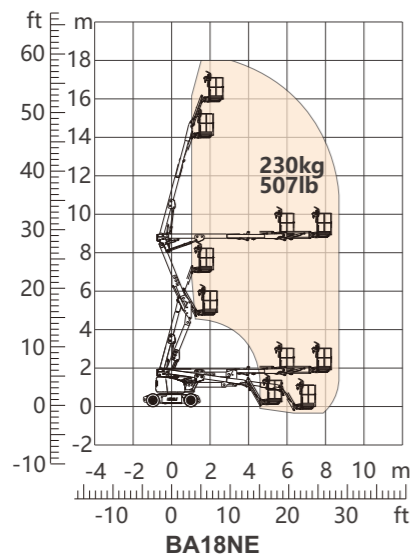
BA18C(RT/MRT/ERT/HRT)2



BA16C(RT/MRT/ERT/HRT)2

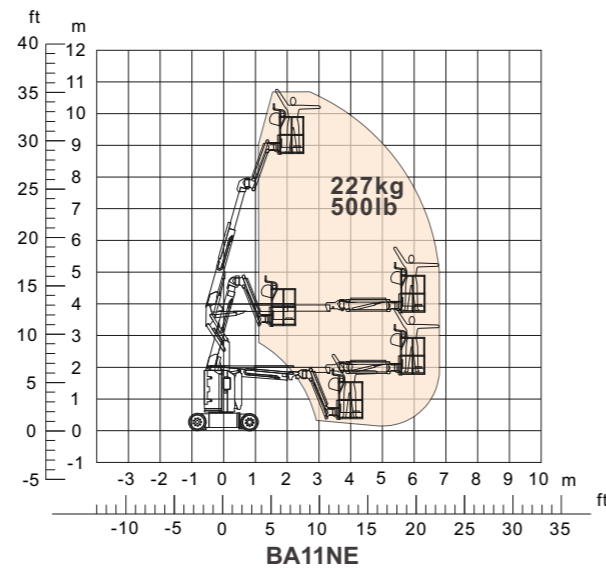
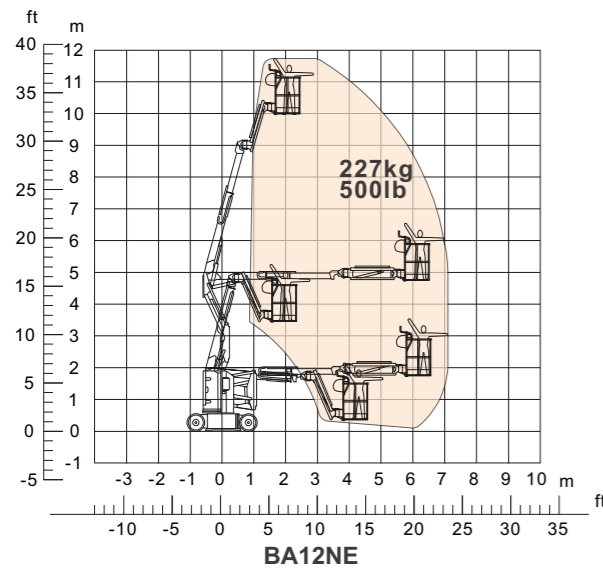
Model	BA18C(RT/MRT/ERT/HRT)2	BA16C(RT/MRT/ERT/HRT)2						
Dimension								
Max. Working Height	18.11m 59ft 6in	16.27m 53ft 4in						
Max. Platform Height	16.11m 52ft 10in	14.27m 46ft 10in						
Max. Operating Range(+0.6m)	9.45m 31ft	8.69m 28ft 6in						
Max. Platform Range	8.85m 29ft	8.09m 26ft 6in						
Max. Up And Over Clearance	8.18m 26ft 10in	7.30m 23ft 11in						
Max. Down Probing Depth	0.68m 2ft 3in	0.42m 1ft 4in						
Flatbed Transport Dimensions(L×W×H)	5.47m×2.44m×2.59m 17ft 11in×8ft×8ft 6in	5.17m×2.44m×2.58m 16ft 11in×8ft×8ft 5in						
Standard Container Transport		All Applicable						
Platform Size(Length ×Width)		1.83m×0.79m 6ft×2ft 7in						
Turntable Tailswing	0.13m 5in	0m 0in						
Ground Clearance		0.31m 1ft						
Wheelbase		2.40m 7ft 10in						
Tyres		315/55D20						
Performance								
S.W.L		320kg 705lb						
Max. Occupants		2						
Gradeability		40%						
Travel Speed(Stowed/Raised)		≥6.0km/h / ≥1.1km/h ≥3.7mph / ≥0.7mph						
Max. Working Slope(X/Y)		5° / 5°						
Turret Rotation		360°Continuous						
Platform Rotation		180°						
Jib Movement		132°						
Main Boom Maximum Angle		75°						
Turning Radius(Inside/Outside)-Front wheel steering		3.00m / 4.73m 9ft 10in/15ft 6in						
Turning Radius(Inside/Outside)-Four Wheel Steering ★		1.31m/2.58m 4ft 3in / 8ft 6in						
Weight								
Overall Weight	8200kg 18077lb	8200kg 18077lb	8650kg 19069lb	8650kg 19069lb	7850kg 17306lb	7850kg 17306lb	8300kg 18298lb	8300kg 18298lb
Overall Weight(Lithium Battery) ★	/	/	8200kg 18077lb	8200kg 18077lb	/	/	7850kg 17306lb	7850kg 17306lb
Power								
ENGINE RT Emergency Power System 12V Diesel Engine - Kubota D1105/18.2kW Diesel Tank 115L(30gal) Hydraulic Tank 145L(38gal)	MHEV MRT Lithium Battery 80VDC/67.5Ah Emergency Power System 12V Diesel Engine - Kubota D1105/18.2kW Diesel Tank 115L(30gal) Hydraulic Tank 145L(38gal)	ELECTRIC ERT Lead-Acid Battery 48V/375Ah Lithium Battery 48V/350Ah ★ Charger 48VDC/60A Emergency Power System 12V Driving Motor 34VAC/9kW Pump Motor 34VAC/13kW Hydraulic Tank 145L(38gal)	REEV HRT Lead-Acid Battery 48V/300Ah Lithium Battery 48V/280Ah ★ Charger 48VDC/60A Emergency Power System 12V Driving Motor 34VAC/9kW Pump Motor 34VAC/13kW Range Extended Engine - Kubota Z482/9.8kW Diesel Tank 90L(23gal) Hydraulic Tank 145L(38gal)					

Note: Parameters marked with "★" are optional items.



Model	BA18NE	BA16NE
Dimension		
Max. Working Height	18.00m 59ft 1in	16.30m 53ft 6in
Max. Platform Height	16.00m 52ft 6in	14.30m 46ft 11in
Max. Operating Range(+0.6m)	8.90m 29ft 2in	7.75m 25ft 5in
Max. Platform Range	8.30m 27ft 3in	7.15m 23ft 5in
Max. Up And Over Clearance	8.90m 29ft 2in	7.89m 25ft 11in
Overall Length(Stowed)	7.21m 23ft 8in	6.77m 22ft 2in
Overall Length(Transport)	6.10m 20ft	5.15m 16ft 11in
Overall Width(Stowed)		1.73m 5ft 8in
Overall Height(Stowed)		2.00m 6ft 7in
Platform Size(Length xWidth)		1.45m×0.76m 4ft 9in×2ft 6in
Ground Clearance		0.20m 8in
Wheelbase		2.00m 6ft 7in
Tyres		17.5×6.75
Performance		
S.W.L		230kg 507lb
Max. Occupants		2
Gradeability	25%	30%
Travel Speed(Stowed/Raised)		≥6.1km/h /≥ 1.1km/h ≥3.8mph /≥ 0.7mph
Max. Working Slope(X/Y)		3°/3°
Turret Rotation		360°Discrete
Platform Rotation		180°
Jib Movement		130°
Turning Radius(Inside/Outside)		2.08m/3.30m 6ft 10in/10ft 10in
Weight		
Overall Weight(Lead-acid Battery)	7730kg 17042lb	7150kg 15763lb
Overall Weight(Lithium Battery) ★	7730kg 17042lb	6850kg 15102lb
Power		
Lead-Acid Battery		48V/300Ah
Lithium Battery ★		48V/280Ah
Charger		48V/35A
Lifting Motor		48VDC/3.8kW
Driving Motor		2×32VAC/3.3kW
Hydraulic Tank		30L 7.9gal

Note: Parameters marked with "★" are optional items.



Model	BA12NE	BA11NE
Dimension		
Max. Working Height	11.80m 38ft 9in	10.80m 35ft 5in
Max. Platform Height	9.80m 32ft 2in	8.80m 28ft 10in
Max. Horizontal Reach	6.50m 21ft 4in	6.35m 20ft 10in
Max. Up And Over Clearance	4.70m 15ft 5in	3.80m 12ft 6in
Overall Length	5.74m 18ft 10in	5.52m 18ft 1in
Overall Length(Stowed)	3.89m 12ft 9in	3.90m 12ft 9in
Overall Width	1.20m 3ft 11in	1.20m 3ft 11in
Overall Height	2.00m 6ft 7in	2.00m 6ft 7in
Overall Height(Stowed)	2.29m 7ft 6in	2.45m 8ft
Platform Size(Length ×Width)	1.17×0.76m 3ft 10in×2ft 6in	1.17m×0.76m 3ft 10in×2ft 6in
Turntable Tailswing	0m 0in	0m 0in
Ground Clearance	0.09m 3in	0.09m 3in
Wheelbase	1.65m 5ft 4in	1.65m 5ft 5in
Tyres	22X7	22X7
Performance		
S.W.L	227kg 500lb	227kg 500lb
Max. Occupants(Indoor/Outdoor)	2/2	2/2
Gradeability	35%	35%
Turret Rotation	355°Discrete	355°Discrete
Platform Rotation	180°	180°
Jib Swing Angle	180°	180°
Jib Movement	139°	139°
Travel Speed(Stowed/Raised)	≥4.8km/h / ≥0.8km/h ≥3mph / ≥0.5mph	≥4.8km/h / ≥0.8km/h ≥3mph / ≥0.5mph
Max. Working Slope(X/Y)	2.5°/4.5°	2.5°/4.5°
Turning Radius(Inside/Outside)	1.50m/3.20m 4ft 11in/10ft 6in	1.50m/3.20m 4ft 11in/10ft 6in
Weight		
Overall Weight	7080kg 15609lb	6660kg 14683lb
Power		
Lead-acid Battery	48V/280Ah	48V/300Ah
Lithium Battery ★	48V/250Ah	48V/250Ah
Charger	48V/35A	48V/35A
Driving Motor	2×32VAC/3.3kW	2×32VAC/3.3kW
Lifting Motor	30VAC/5.0kW	30VAC/5.0kW

Note: Parameters marked with "★" are optional items.